

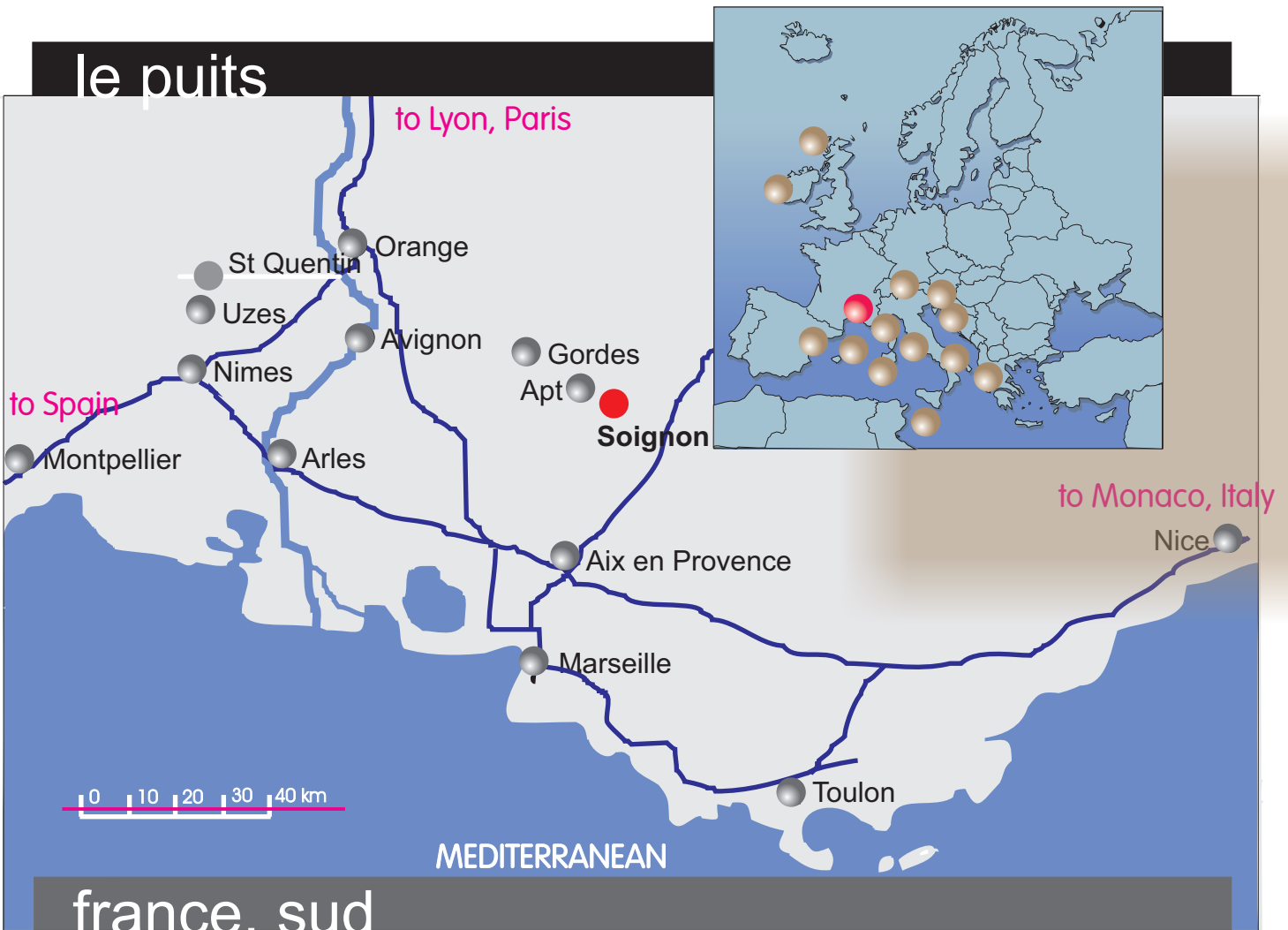
le puits
Soignon, Provence
France

2023

ver. 2301

Borut Juvanec, Institute of Vernacular Architecture, Ljubljana SLOVENIA

le puits

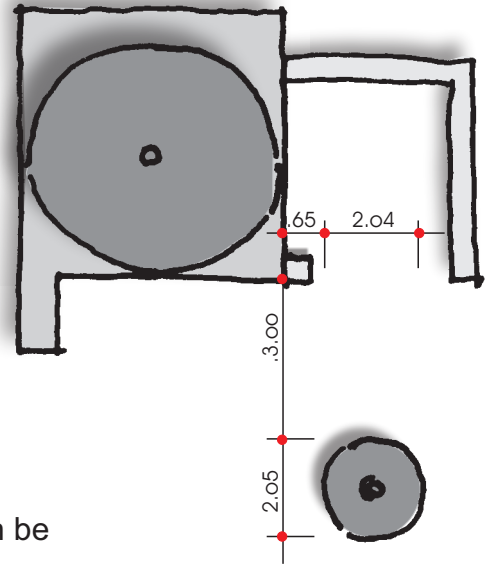


Soignon (Provence)

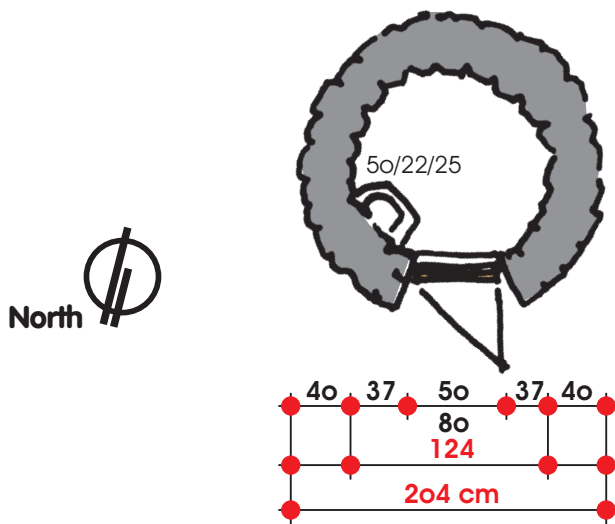
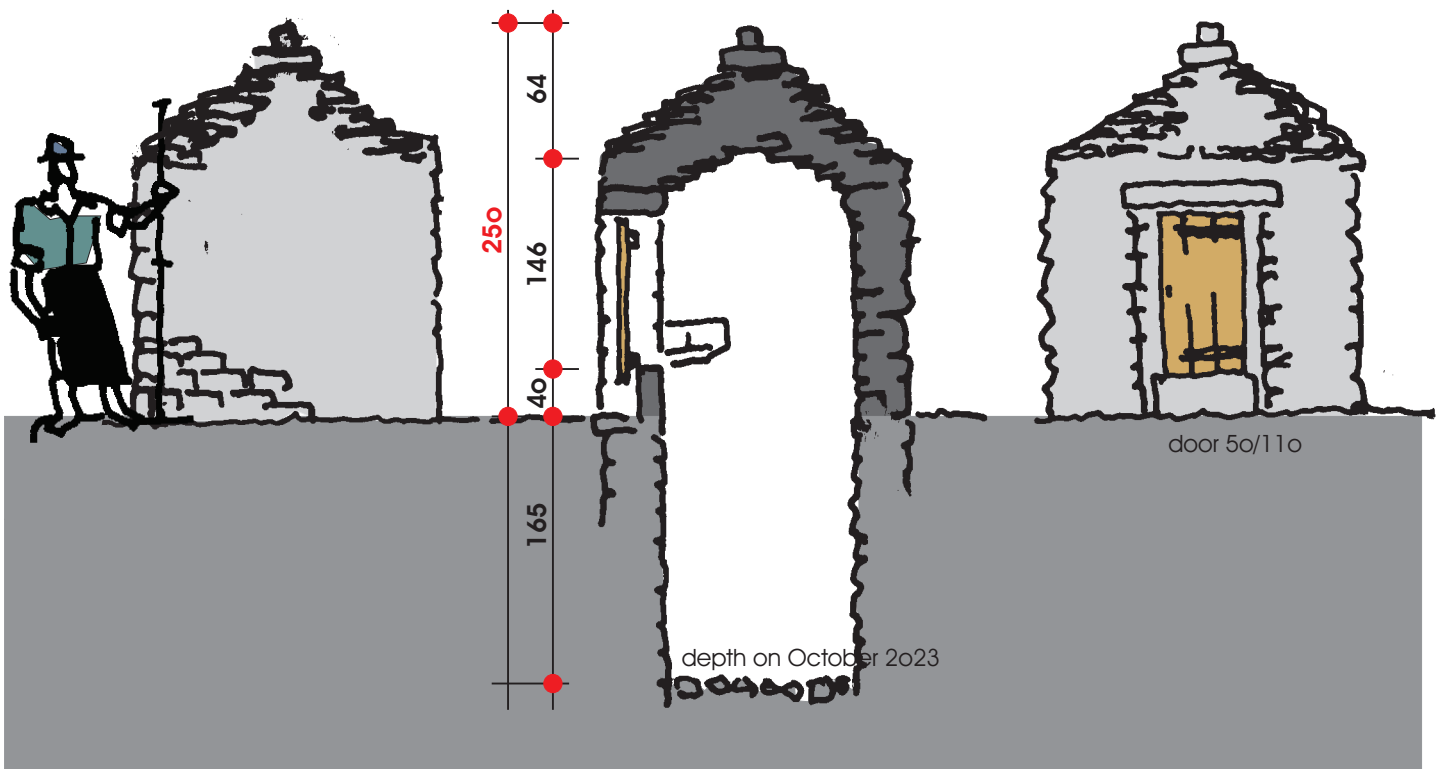
GPS data:
N 43,50.8589
E 5,25.2765
596 m

Waterwell is located near the cabane with rectangle base and false dome over it, in corbelling.
Le puits (waterwell) has circular groundplan with shallow corbelled false dome, which is covered with stone plates, on the top is a pinnacle.
Entrance has wooden door, a pulley is missing, but water can be attained also only with bucket and a rope.
Waterwell is on October 2023 empty, without water, but in technical good state.

October 2023



Soignon (Provence)



scale 1: 50

Soignon (Provence)



Soignon (Provence)

